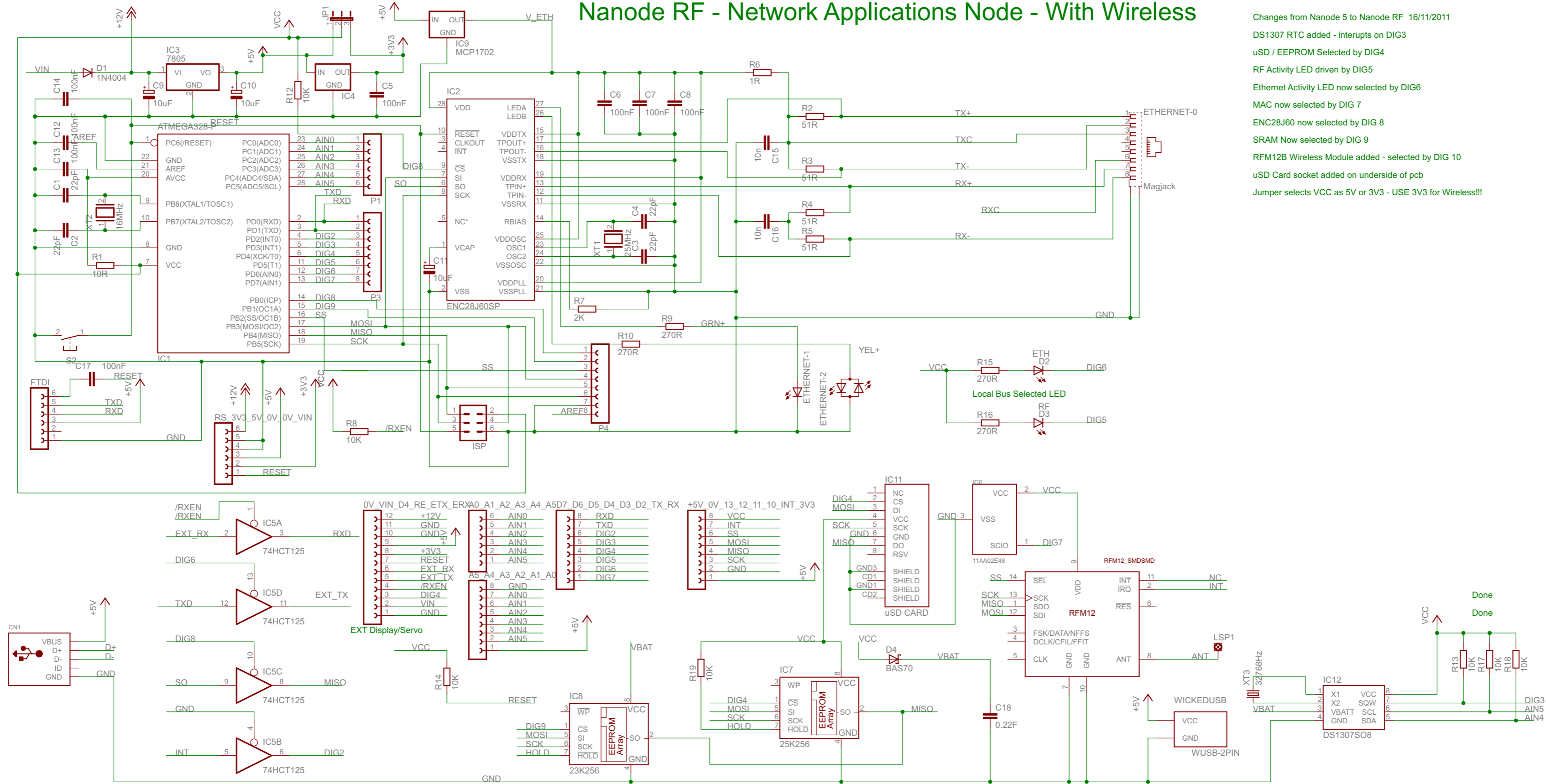


# Nanode RF - Network Applications Node - With Wireless



- Changes from Nanode 5 to Nanode RF 16/11/2011
- DS1307 RTC added - interrupts on DIG3
- uSD / EEPROM Selected by DIG4
- RF Activity LED driven by DIG5
- Ethernet Activity LED now selected by DIG6
- MAC now selected by DIG 7
- ENC28J60 now selected by DIG 8
- SRAM Now selected by DIG 9
- RFM12B Wireless Module added - selected by DIG 10
- uSD Card socket added on underside of pcb
- Jumper selects VCC as 5V or 3V3 - USE 3V3 for Wireless!!!

Done

Done